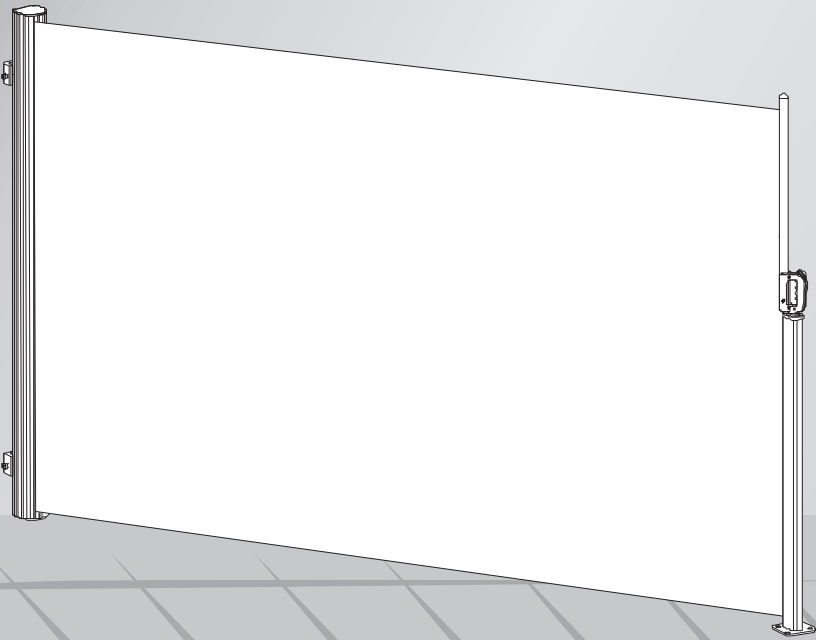
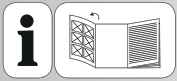
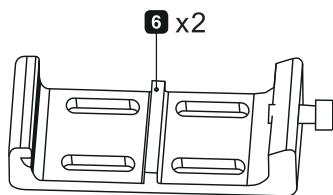
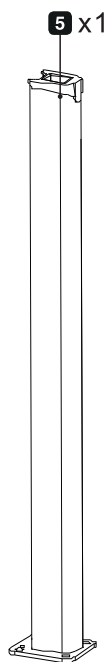
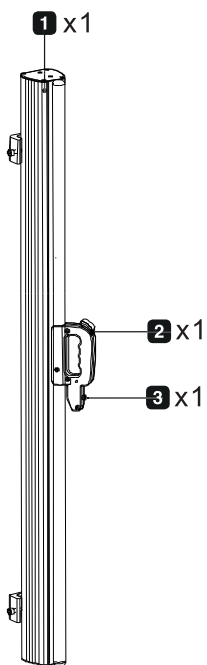


Side Awning



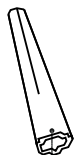




7 x4
ø 8



8 x4
M8X75



9 x4
ø10X50



10 x8
ø5



11 x8
ST4.8X40



12 x8
ø 8X45

Side Awning

■ **Introduction**

Intended use Page 6
 Part description Page 6
 Technical Specifications Page 6
 Delivery contents Page 6
 General Information about the Awning Fabric Page 6
 Design Characteristics Page 7

■ **Safety Instructions**

General Safety Instructions Page 7

■ **Prior to Assembly**

Necessary Tools and Materials Page 8
 Determining the Location of the Awning Page 8

■ **Assembly**.....

Page 8

■ **Instructions for Use**

Extending Out the Side Awning Page 10
 Retracting the Side Awning Page 11

■ **Cleaning and Maintenance**.....

Page 11

■ **Disposal**.....

Page 12

■ **Information**

Guarantee..... Page 12
 Service..... Page 12
 Declaration of Conformity..... Page 12

Side Awning

■ Introduction



Familiarise yourself with the product prior to initial use. To do this, read the following assembly and safety instructions thoroughly. Only use this product as described and for the specified areas of use. Keep these instructions in a safe place. When passing this product on to a third party, also hand over all corresponding documentation.

■ Intended use

The side awning is intended for outdoor use on the terrace and balcony as protection from the late afternoon/setting sun and from light winds. Other uses or modifications of any kind are considered to be misuse of the product and could lead to a risk of personal injury and/or damages to the product. The manufacturer accepts no liability for damages resulting from improper use. This product is not intended for commercial use.

■ Part description

- 1 Cassette
- 2 Handle
- 3 Locking device
- 4 Profile
- 5 Support post
- 6 Wall bracket
- 7 Washer (approx. \varnothing 10mm)
- 8 Hexagon bolt
- 9 Dowel, approx. \varnothing 10 x 50mm (\varnothing x L)
- 10 Washer (approx. \varnothing 5mm)
- 11 Phillips-head screw
- 12 Dowel, approx. 8 x 45mm (\varnothing x L)
- 13 Fabric
- 14 Oval-head screw

■ Technical Specifications

Dimensions: 160 x 300 cm (H x W) (extended)

Weight: 10 kg

■ Delivery contents

Immediately after unpacking the awning, inspect the delivery contents for completeness and for a flawless condition of the product and all parts.

- 1 Side Awning
- 1 Support post
- 2 Wall bracket
- 4 Washer (approx. \varnothing 10mm)
- 4 Hexagon bolt
- 4 Dowel, approx. \varnothing 10 x 50mm (\varnothing x L)
- 8 Washer (approx. \varnothing 5mm)
- 8 Phillips-head screw
- 8 Dowel, approx. 8 x 45mm (\varnothing x L)
- 1 Assembly instructions

■ General Information about the Awning Fabric

Awning fabrics are high-performance textile products. However, even with the latest technology and environmental protection requirements, their perfection is still only limited. Specific markings in the fabric, which are sometimes criticised, may still occur despite fully developed production and processing techniques.

Basically these effects are visible to differing degrees in almost all awning fabrics. However they do not in any way affect the quality of the fabric.

Within the scope of our obligation for consumer education and to avoid any potential irritation, we would like to expressly inform you of the following fabric characteristics:

- Folds occur during manufacturing and when the awning fabric is folded. Thus, especially with light colours, a fold can result in surface effects (loss of pigmentation), which appear darker (like dirt lines) against the light. However they do not reduce the value or the durability of the awning.

- Chalk effects are light stripes, which occur during the processing of refined products and which cannot be completely avoided even with the utmost care. Hence they are also not grounds for reclamation.
- Rain-proof ability: Acrylic and polyester sun shade awning fabrics are impregnated to be water-repellent and can withstand a brief, light rain. In case of heavy or long-lasting rain, the awning must be retracted in order to avoid damages. Awnings that have been retracted while wet must be extended out to dry as soon as possible.
- Waviness in the hem, seam and over the surface of the fabric could occur due to multiple layering of the fabric and various rolling strengths on the fabric shaft. The resulting tension on the fabric can cause waves (e.g. waffle or herringbone patterns).
- The thread in the fabric does not necessarily have to have the same colour as the fabric itself.
- Further effects: Colour variations between individual pieces of fabric and within the collection, shading, light spots, joining seams, weft, thread breakage, double warp threads, woven foreign fibres, warp stripes, knots, visible weft threads, offset repeated pattern, impregnation spots, wrinkling when rolling up, unsymmetrical processing of the fabrics, crooked seam contour, sagging as a result of the weight of the fabric.

(Excerpt from: "Important Consumer Information: Side Awning Product Characteristics" from the Bundesverband Konfektion Technischer Textilien e.V. BKTex, or the Federal Association of Technical Textile Manufacturing).

■ Design Characteristics

Various parts of the assembly instructions are displayed with styling font characteristics. This makes it easy to differentiate whether the informative text is about

- Safety Instructions
- or handling instructions.

■ Safety Instructions

● General Safety Instructions



Read all safety instructions and guidelines. Failure to comply with the safety instructions and guidelines could result in serious injury.



DANGER TO LIFE AND DANGER OF ACCIDENT FOR CHILDREN, ESPECIALLY SMALL CHILDREN!

Never leave children unsupervised with the packaging material. There is a danger of suffocation from the packaging material. Children often underestimate such dangers. Keep children away from this product at all times.

⚠ CAUTION! Do not leave children unsupervised! The awning is not a climbing or play structure! Make sure that people, especially children, do not climb on or lean on the awning. The awning could break out of the wall or the fabric could rip. This could lead to personal injuries and/or damages to the product.

⚠ WARNING! **DANGER TO LIFE BY ELECTRIC SHOCK!** During assembly, make sure that you do not drill into electrical, gas or water lines. Use a cable detector on the wall / floor into which you are going to drill.

- It is advised to assemble the awning with a second person. The awning cassette is heavy. Should the awning fall, it could become damaged and could lead to serious injuries!
- **RISK OF INJURY!** Please keep children away from the working area during assembly and setup.
- Do not hold the movable parts while the awning is being extended or retracted. This could result in personal injuries.

- Retract the awning in case of
 - strong winds
 - rain
 - absence
 - thunder and lightning (strong gusts of wind, heavy rain)
 - frost (freezing of the hanging fabric)
 Using the awning during the winter could lead to damages.
- Inspect the awning for damages prior to each use.
- Never use the awning if damages of any kind have been found. Prior to use, make sure that all screws and connections are secure.
- In case of damages, repairs or other problems with the awning, consult a service centre or specialist.
- Make sure that the awning fabric is always rolled up properly. Otherwise damages to the awning fabric could occur. Make sure that the fabric is stretched taut.

● Prior to Assembly

- Carefully take the awning out of the box and remove the Styrofoam transport supports.
- Remove the plastic bags, plastic pieces and protective adhesive foil from the awning and lay it down carefully to prevent it from becoming scratched or otherwise damaged or soiled during assembly.

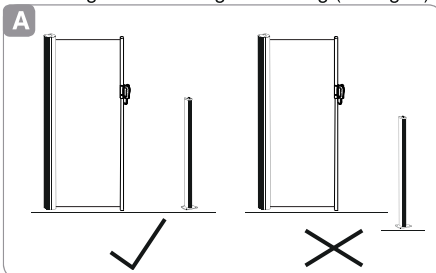
● Necessary Tools and Materials

The tools and materials listed are not included. The information and values given here are non-binding and are for orientation purposes only. The composition of the material depends on the individual on-site circumstances.

- Tape measure
- Hexagon wrench
- Phillips-head screwdriver
- Electric drill
- Drill bit (ø 8 mm)
- Cable detector

● Determining the Location of the Awning

Please note: When choosing an assembly location, make sure that the side awning and the support post **5** will be situated horizontally to each other. The product could otherwise become twisted. This can result in problems extending and retracting the awning (see fig. A).



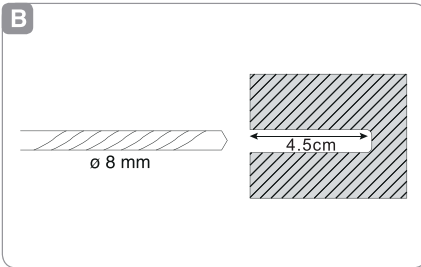
Please note: Please remember that the support post **5** must be mounted in a solid underground (wood, stone). Otherwise the support post **5** will not provide a firm support.

Select a suitable location for the side awning and the support post **5**.

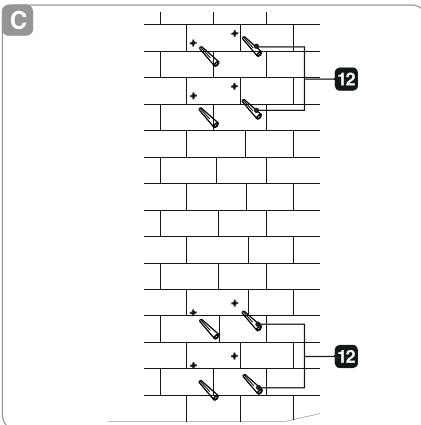
Please note: Make sure that the location of the support post **5** corresponds to the length of the side awning when extended. The distance between the cassette **1** and the support post **5** should be **290 cm**.

● Assembly

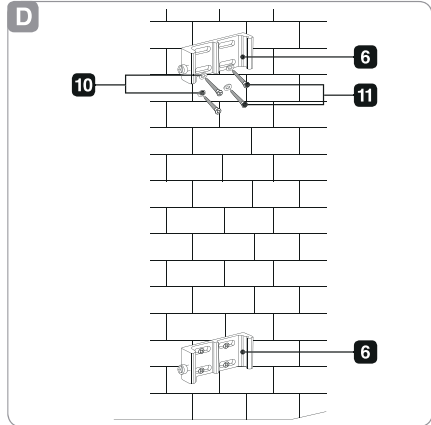
- Using a tape measure, measure the necessary distance on the back of the cassette **1** for both wall brackets **6**. Then hold both wall brackets **6** in a vertical position to each other on the corresponding spots on the wall and mark the drill holes with a pencil or similar.
- ⚠ **CAUTION!** Consult the instruction manual for your drill.
- Drill the holes (ø 8 mm, depth 4.5 cm) in the wall (see fig. B).



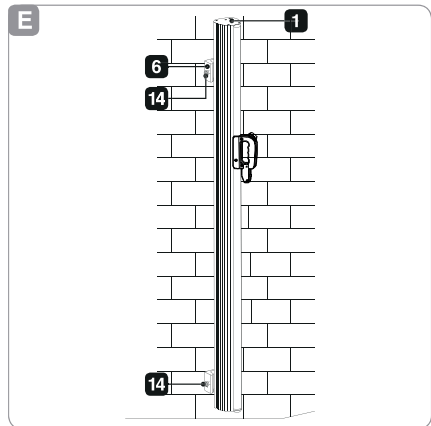
- Now insert the dowels **12** into the drill holes (see fig. C).



- Affix the wall brackets **6** using the washers **10** and Phillips-head screws **11** (see fig. D).



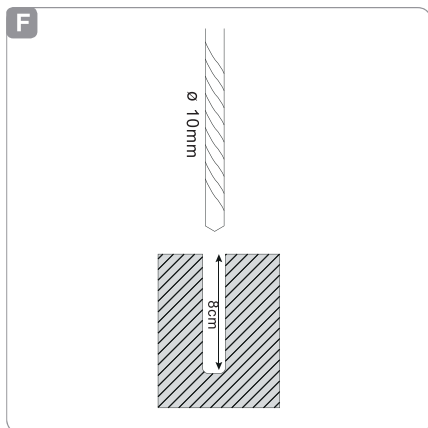
- Mount the cassette **1** onto the wall brackets **6** using the side oval-head screws **14** (see fig. E).



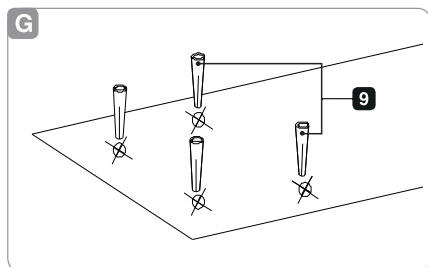
- Now mark the drill holes for the support post **5** with a pencil or similar.

Assembly / Instructions for Use

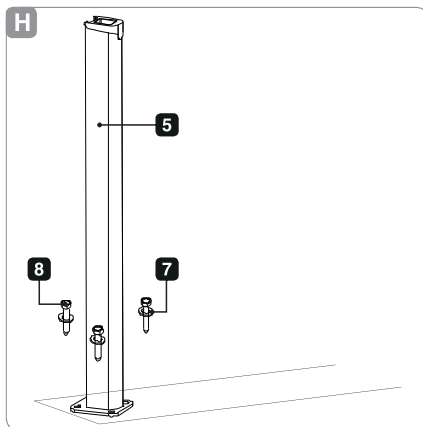
- Drill the holes (\varnothing 10 mm, depth 8 cm) into the ground (see fig. F).



- Insert the dowels **9** into the drill holes (see fig. G).



- Secure the support post **5** into the ground using the washers **7** and hexagon bolts **8** (see fig. H).



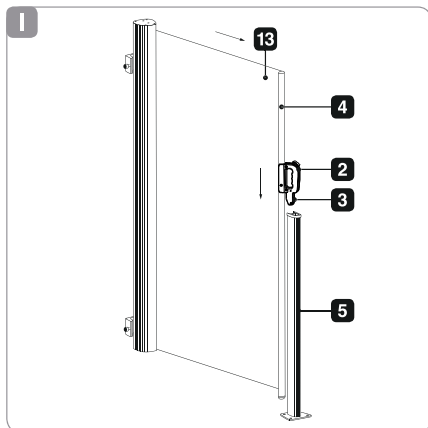
- **Please note:** Make sure that the nut of the support post **5** is facing the cassette **1**.

Your side awning is now ready for use.

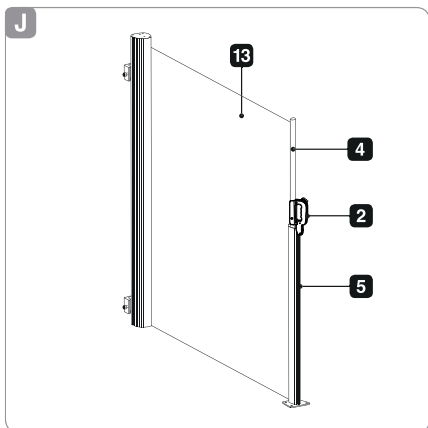
● Instructions for Use

■ Extending Out the Side Awning

- Hold the handle **2** of the profile **4** tightly and pull the fabric **13** out of the cassette **1** until it reaches the support post **5**. Please note: Make sure to pull the fabric **13** straight out of the cassette **1**.
- Slightly lift the handle **2** and insert the locking device **3** into the opening of the support post **5**. Push the locking device **3** all the way into the support post **5** until it audibly clicks into place (see fig. I).



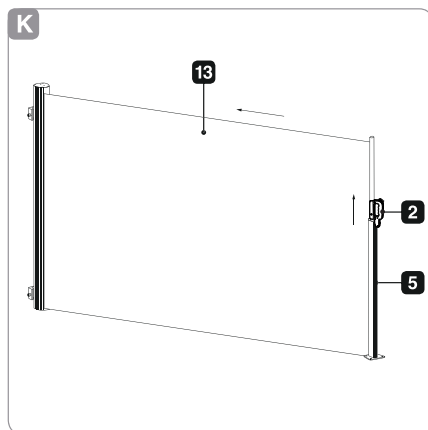
⚠ **CAUTION! RISK OF INJURY!** Make sure that you hold onto the profile 4 handle 2 tightly. Only let go once the profile 4 is secured into the support post 5 (see fig. J). Because: The more you pull the fabric 13 out of the cassette 1, the more tension is on the fabric 13. When extending the awning, the spring motor inside the fabric shaft becomes taut.



Retracting the Side Awning

⚠ **CAUTION! RISK OF INJURY!** The fabric 13 is under tension. Hold the profile 4 by the handle 2 tightly when you release it from the support post.

- Pull the locking device 3 upwards by the handle 2 out of the opening in the support post 5 (see fig. K).



- Slowly guide the fabric 13 back to the cassette 1. The fabric is wound up automatically.
Please note: Make sure to guide the fabric 13 straight into the cassette 1. Otherwise the fabric 13 will not be rolled up straight. This could lead to folds and damages to the edges of the fabric.

Cleaning and Maintenance

- At the beginning of each awning-season, inspect all screws and bolts to ensure they are secure; tighten them if this is not the case.
- Clean this product on a regular basis, at least once per year with soapy water.
- Otherwise only clean this product with a mild cleanser.

- To remove mould stains and mildew, use a mild soap solution. Do not under any circumstance use petrol, solvents or aggressive cleansers. This could fade the awning fabric and could damage the awning itself as well as the awning fabric.
- Do not under any circumstance use alkaline or corrosive cleansers or high-pressure cleaners to clean the awning fabric.
- Do not under any circumstance use sharp objects to clean this product. Do not let any liquids get inside this product.
- Have maintenance work performed exclusively by a service centre or a recognised, specialised workshop.
- Make sure that the product is clean and dry when storing it away. Select a dry, well ventilated room for storage, in order to avoid mould stains.

■ Disposal

The packaging is made of environmentally friendly materials which can be disposed of at the local recycling collection centre. To dispose of the product itself once its service life has been reached, consult the town or municipality administration.

■ Information

■ Guarantee

This product comes with a 2 year guarantee from the date of purchase. This product was produced carefully and underwent a thorough quality check prior to delivery. Please retain your purchase receipt as proof of purchase. For claims under guarantee, always contact the service centre by telephone first. This way a complimentary shipment of your goods can be guaranteed. The hotline can also help you with details regarding product delivery. This guarantee only applies to the first purchaser and is non-transferable. Any improper use and /or improper handling, unnecessary force and repairs performed by persons other than

an authorised service centre could render the guarantee void. These legal rights are not restricted by the manufacturer's guarantee offered. Furthermore, the guarantee only applies to material or manufacturing defects. It does not apply to wear parts or for damages to fragile parts e.g. awning fabric. This product is only intended for private use and not for commercial use.

■ Service

Depot 18 GmbH
Gewerbering 3
67691 Hochspeyer
Tel.: 06305-715429 13
Fax.: 06305-715429 29
E-Mail: mail@depot18.de

■ Declaration of Conformity $\text{C} \text{C}$

We, BAHAG AG, Gutenbergstr. 21, 68167 Mannheim, Germany, declare that the product complies with the essential requirements as well as with all other relevant regulations. These documents are stored and can be obtained upon request.



RoHS

BAHAG AG
Gutenbergstr. 21
68167 Mannheim
Germany